

VASO INERZIALE

POLYWARM® COATED DOMESTIC HOT WATER ACCUMULATION TANK



APPLICATION

Domestic hot water storage.

MATERIAL

Mild steel Polywarm® coated (Attestation ACS - SSICA - DVGW - W270 - WRAS)

INSULATION

- HARD: High thermal insulation with ecological polyurethane hard foam.

- SOFT: NOFIRE® polyester fleece 100% made of recyclable material, with high thermal insulation. Fire resistance class B-s2d0 according to EN 13501.

Grey PVC external lining.

CATHODE PROTECTION

Magnesium anode. Models > 1500 n° 2 magnesium anodes.

DRAIN

External confluence through drain connection. Models > 1000 external confluence through drain pipe.

WARRANTY

5 years - See general sales conditions and warranty

ACCESSORIES AND SPARE PARTS

See Accessories section for the entire list.



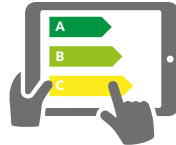
POLYWARM®
COATED
DHW STORAGE



STOCK
AVAILABILITY



cordivari.com/erp



On line ErP label tool

VASO INERZIALE WB



HARD FOAM
insulation

ENERGY
EFFICIENCY
CLASS



Model	Art. Nr.	ENERGY EFFICIENCY CLASS
200	3060162310110	B
300	3060162310111	C
500	3060162310112	C
800	3060162310113	B
1000	3060162310114	C
1500	3060162310115	C
2000	3060162310116	B

VASO INERZIALE WC



DISMOUNTABLE SOFT FLEECE
insulation

ENERGY
EFFICIENCY
CLASS



Model	Art. Nr.	ENERGY EFFICIENCY CLASS
500	3060161620166	C
800	3060161620167	C
1000	3060161620168	C
1500	3060161620169	C
2000	3060161620170	C
2500	3060161620171	
3000	3060161620172	
4000	3060161620173	
5000	3060161620174	

ACCESSORIES

ELECTRIC IMMERSION HEATERS



Mod. Heated volume by electric immersion heater [lit]

200	49
300	76
500	127
800	178
1000	243
1500	288
2000	443
2500	577
3000	577
4000	797
5000	1040

MONOPHASE

1,5 kW	2 kW	3 kW
5240000000051	5240000000052	5240000000053
Ignition time from 10 °C to 45 °C with electric immersion heaters [min]		
87	65	44
136	102	68
228	171	114
318	239	159
436	327	218
516	387	258
793	595	396
1033	775	517
1033	775	517
1428	1071	714
1864	1398	932

THREEPHASE

4 kW	5 kW	6 kW	9 kW	12 kW
5240000000047	5240000000048	5240000000049	5240000000050	5240000000031
Ignition time from 10 °C to 45 °C with electric immersion heaters [min]				
//	//	//	//	//
//	//	//	//	//
//	//	//	//	//
//	//	//	//	//
163	131	109	73	54
194	155	129	86	65
297	238	198	132	99
387	310	258	172	129
387	310	258	172	129
535	428	357	238	178
699	559	466	311	233

"Easy Control" Electronic Display-mounted on tank

ART. NR.	FOR MODELS
5005000310002	WC
5005000310003	WB



Thermometer

Art. Nr.
5032240000107
5 units box



Titanium electronic anode

Art. Nr.	Model
5200000000008	200, 300
5200000000009	500, 800
5200000000011	1000, 1500
5200000000013	2000÷5000



VASO INERZIALE

POLYWARM® COATED DOMESTIC HOT WATER ACCUMULATION TANK

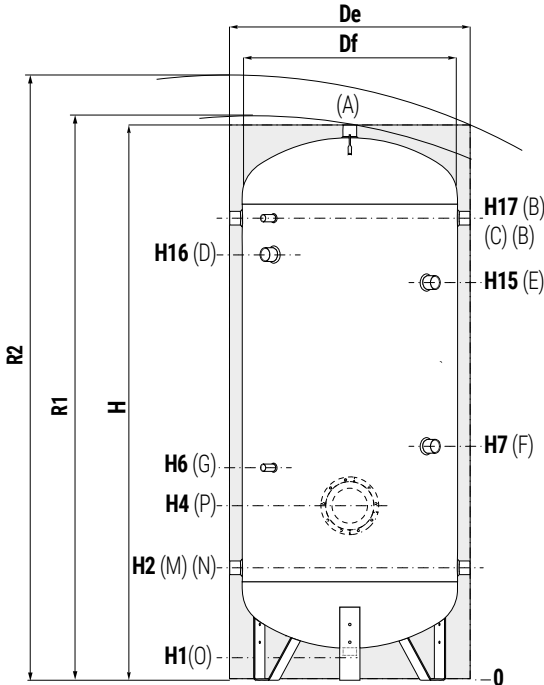
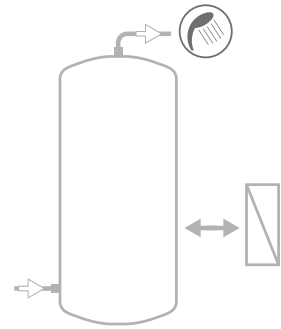
STORAGE

Model	Pmax	Tmax
200 ÷ 1000	8 bar	90 °C
1500 ÷ 5000	6 bar	



CORDIVARI Lab

TÜV Rheinland Energie und Umwelt GmbH states that test procedures and Cordivari LAB are certified conforming to European standard EN 15332, as indicated by Ecodesign ErP Directive.

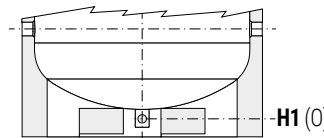
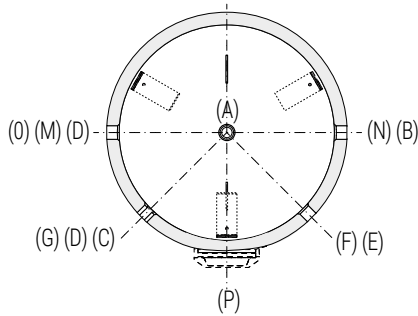


COMPLETE YOUR SYSTEM WITH THE NEW PRS MODULE (FOR IMMEDIATE DHW PREPARATION)



SEE HYDRONIC SECTION

- A Domestic hot water outlet
- B Recirculation / Domestic hot water outlet
- C Connection for instrumentation 1/2" F
- D Connection for electric immersion heater 1"1/2 F For models > 800 connection 2" F
- E Connection for 2nd magnesium anode 1"1/4 F (only for models > 1500)
- F Connection for magnesium anode 1" 1/4 F
- G Connection for instrumentation 1/2" F
- M Domestic cold water circuit inlet
- N Alternative domestic cold water circuit inlet or connection for more boilers
- O Drain
- P Flange (only for models > 1000)



Models from 1500 to 5000 have two grips on the bottom which allow the use of forklift when handling and drain pipe already fitted.

VASO INERZIALE WB - HARD FOAM INSULATION

Mod.	Vol. Weight		De	H	R2	H1	H2	H4	H6	H7	H15	H16	H17	P	Connections F		
	[lt]	[kg]													A	B-M-N	O
200	192	41	550	1449	1560	85	325	//	520	650	//	1075	1185	//	1"1/4	1"1/4	1"1/4
300	293	52	650	1499	1640	85	350	//	545	735	//	1100	1210	//	1"1/4	1"1/4	1"1/4
500	501	69	750	1800	1960	85	375	//	570	760	//	1329	1485	//	1"1/4	1"1/4	1"1/4
800	792	111	900	2135	2330	85	405	//	600	870	//	1610	1765	//	1"1/4	1"1/4	1"1/4
1000	1041	150	1000	2221	2450	105	458	//	653	993	//	1664	1818	//	1"1/2	1"1/2	1"1/2
1500	1443	186	1100	2415	2660	109	440	525	635	1075	//	1895	2050	Øi170/Øe240	1"1/2	2"	1"
2000	1975	223	1300	2492	2820	91	467	542	652	842	1952	1877	2057	Øi170/Øe240	2"	2"	1"

VASO INERZIALE WC - DISMOUNTABLE SOFT FLEECE INSULATION

Mod.	Vol. Weight		De	Df	H	R1	R2	H1	H2	H4	H6	H7	H15	H16	H17	P	Connections F		
	[lt]	[kg]															A	B-M-N	O
500	500	83	870	650	1891	1998	2090	101	416	//	611	801	//	1370	1526	//	1"1/4	1"1/4	1"1/4
800	792	111	970	750	2188	2220	2400	113	433	//	628	898	//	1638	1793	//	1"1/4	1"1/4	1"1/4
1000	1041	150	1070	850	2242	2270	2490	101	454	//	649	989	//	1660	1814	//	1"1/2	1"1/2	1"1/4
1500	1443	186	1210	950	2440	2495	2730	109	440	525	635	1075	//	1895	2050	Øi170/Øe240	1"1/2	2"	1"1/4
2000	1975	223	1360	1100	2492	2570	2850	91	467	542	652	842	1952	1877	2057	Øi170/Øe240	2"	2"	1"1/2
2500	2311	267	1350	1250	2311	2480	2690	140	551	626	736	976	1816	1732	1891	Øi170/Øe240	2"	2"	1"
3000	2917	313	1350	1250	2811	2950	3130	140	551	626	736	876	2316	2232	2391	Øi170/Øe240	2"	2"	1"
4000	3765	435	1500	1400	2875	3050	3250	114	570	645	755	895	2315	2238	2410	Øi170/Øe240	2"	2"	1"
5000	4979	558	1700	1600	2915	3130	3380	94	580	655	765	935	2335	2265	2420	Øi170/Øe240	2"	2"	1"